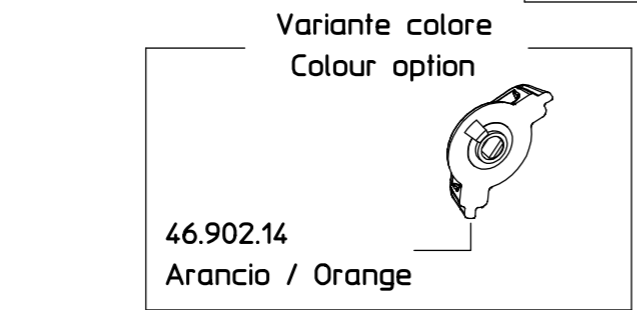
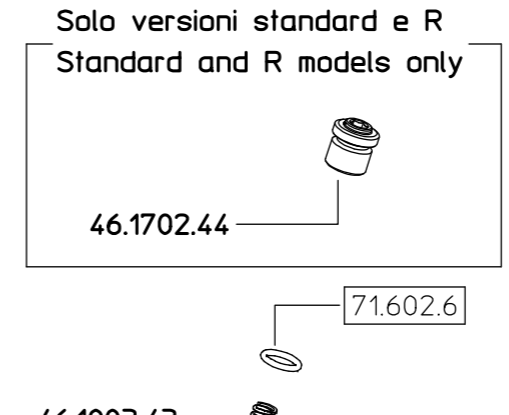
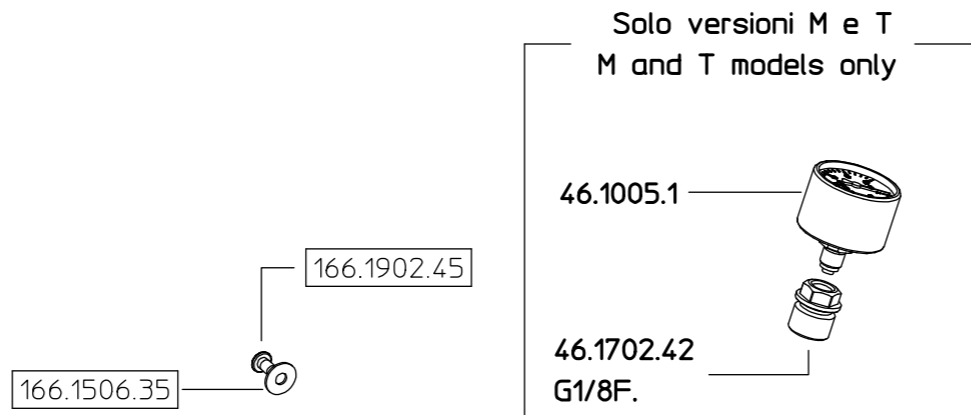
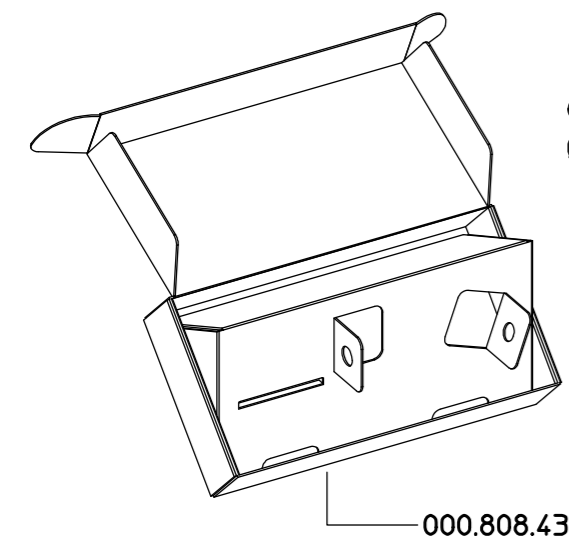
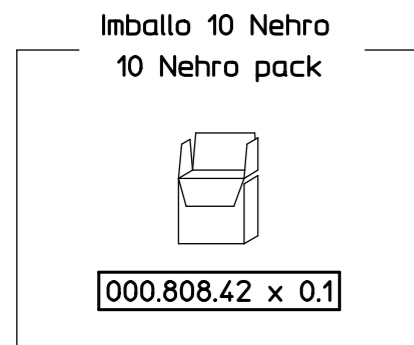
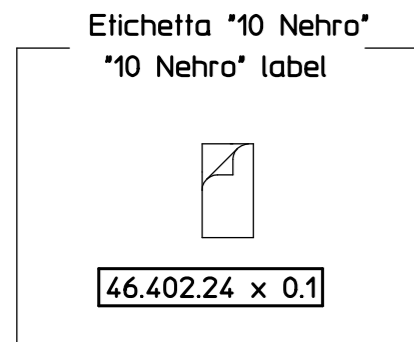
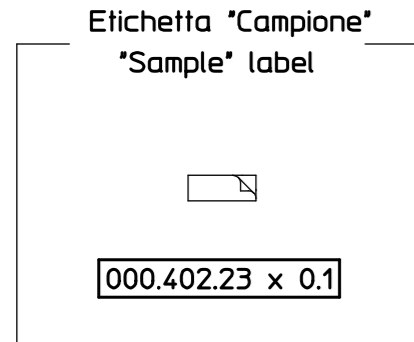


46.901.46
 46.901.46 M
 46.901.46 R
 46.901.46 T



- Varianti ugello / Spray tip options
- A : 61.1802.45 - Ø1.0
 - B : 61.1802.46 - Ø1.2
 - C : 61.1802.48 - Ø1.8
 - D : 61.1802.55 - Ø2.0
 - E : 61.1802.68 - Ø2.3

