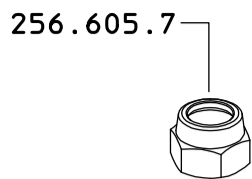


82.617.18
 82.617.18 10
 82.617.18 12
 82.617.18 18
 82.617.18 20
 82.617.18 D
 82.617.18 DA
 82.617.18 DB
 82.617.18 DC
 82.617.18 DD
 82.617.18 SU




VARIANTE 82.617.18 SU
 - SENZA UGELLO 61.1802.47
 - SENZA OR 73.602.22


82.617.18 SU MODEL
 - WITHOUT 61.1802.47 SPRAY TIP
 - WITHOUT 73.602.22 ORING


VARIANTE STANDARD / VARIANTE D
 STANDARD MODEL / D MODEL


61.1802.47 Ø1.5

VARIANTI MODELS

10 / DA - 61.1802.45 Ø1.0 

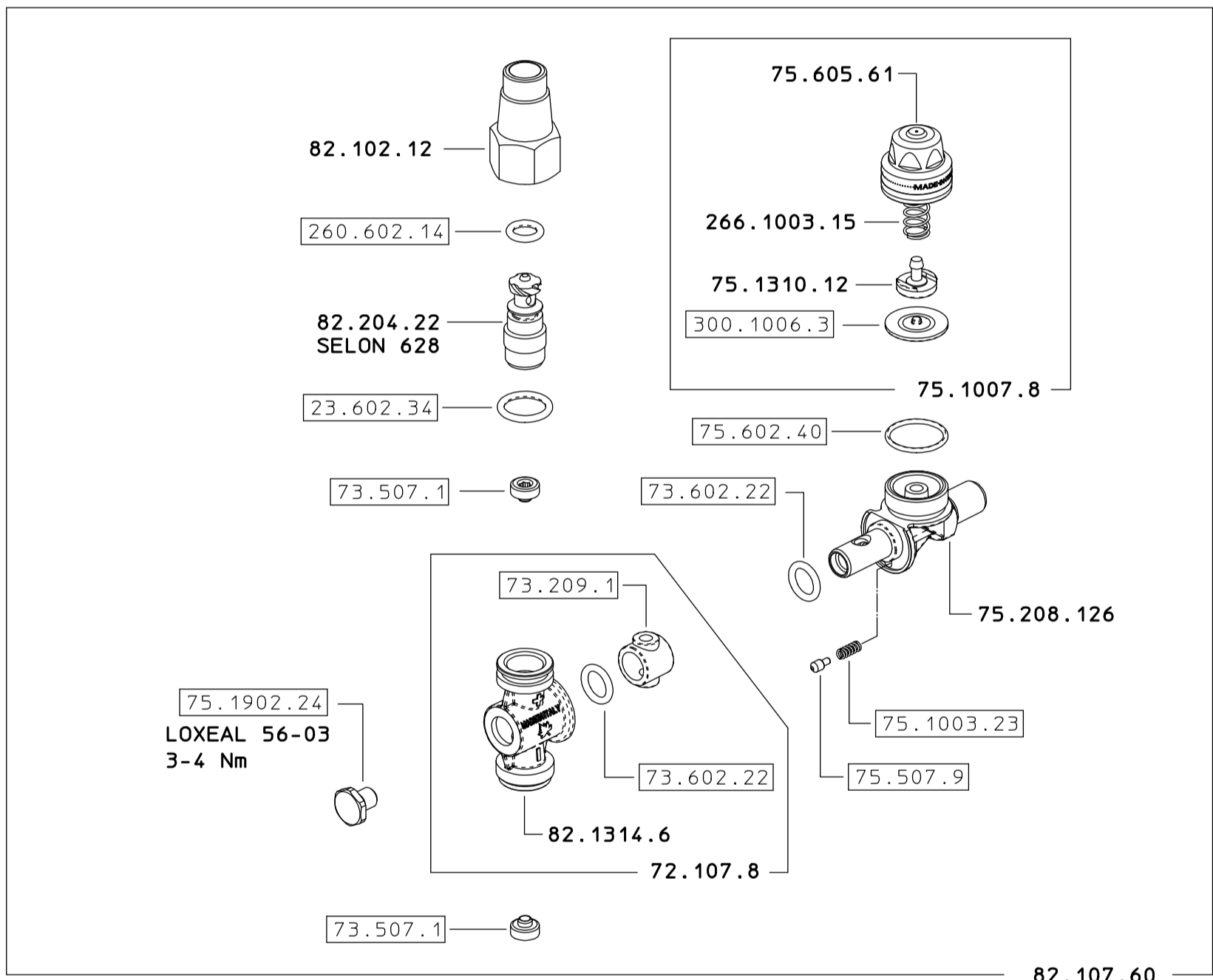
12 / DB - 61.1802.46 Ø1.2 

18 / DC - 61.1802.48 Ø1.8 

20 / DD - 61.1802.55 Ø2.0 

VARIANTI STANDARD 10 12 18 20 D DA DB DC DD
 STANDARD 10 12 18 20 D DA DB DC DD MODELS

73.602.22
 NBR/Buna N



SOLO PER KIT
 FOR KIT ONLY




23.602.34

68.602.10


73.602.22

260.602.14


VARIANTI D DA DB DC DD
 D DA DB DC DD MODELS



75.8.3



7.602.13



75.605.97

VARIANTI STANDARD 10 12 18 20 SU
 STANDARD MODEL AND 10 12 18 20 SU

75.605.46 Ø15

COME SI ORDINA / HOW TO ORDER
 Kit ricambio
 Spare parts kit **75.302.28**