

Variente standard / Standard option

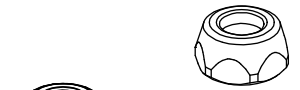


75.605.47 Ø18

**62.627.10**  
**62.627.10 A**  
**62.627.10 E**

Variente A / A option

75.605.46 Ø15



75.605.47 Ø18

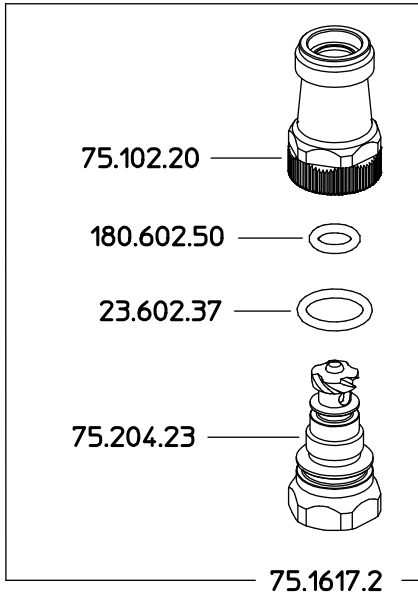
Variente E / E option

75.605.97

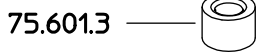


75.8.3

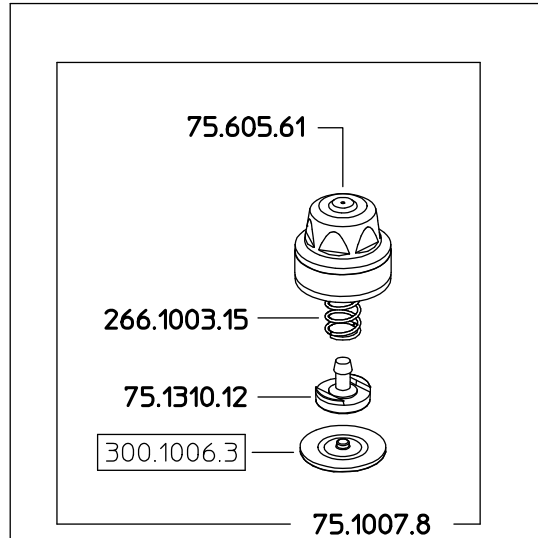
75.605.47 Ø18



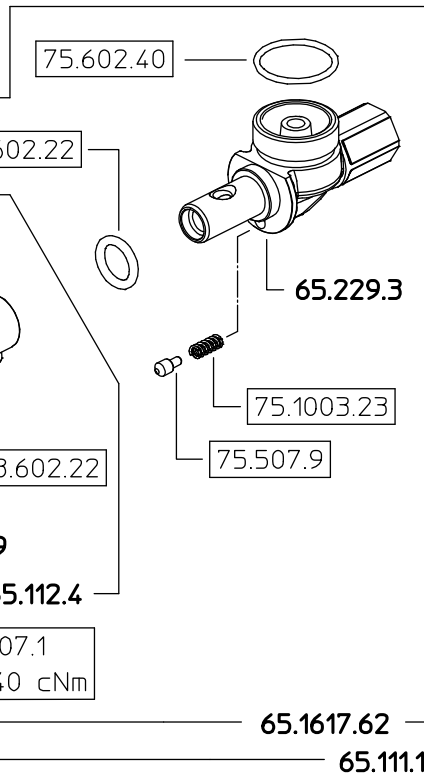
75.1617.2



75.601.3



75.1007.8



65.1617.62

65.111.15

**Thread sealant**  
**LOXEAL 56-03**

75.1902.24  
 3-4 Nm

73.507.1  
 35-40 cNm

73.507.1  
 35-40 cNm

Solo per kit  
 For kit only



23.602.34 X2

68.602.10

73.602.22 X3

260.602.14 X2

Variente standard / Standard option



75.605.47 Ø18

COME SI ORDINA/HOW TO ORDER  
 Kit ricambio Spare parts kit **75.302.28**

DESCRIZIONE: **GETTO M62 G1/4F. Ø18**

N°revisione **01**  
 Data revisione **25/01/2012**

**Braglia** SRL  
 Tel. +39 0522 340648  
 Fax. +39 0522 345025  
 I-42122 REGGIO EMILIA - ITALY - UE Email tecnico@braglia.it

DISEGNATO **G.BRAGLIA**  
 APPROVATO **G.BRAGLIA**

Dis.N°/Codice  
**62.627.10**