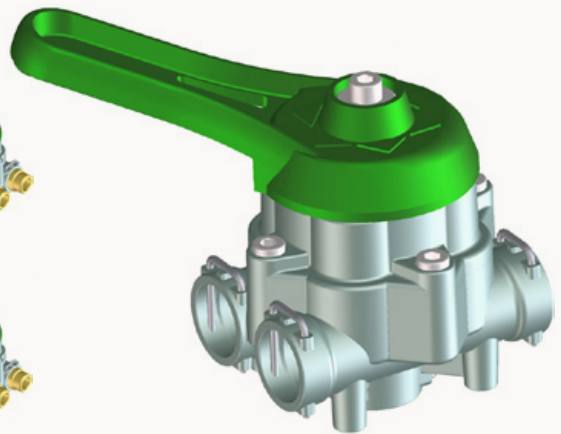
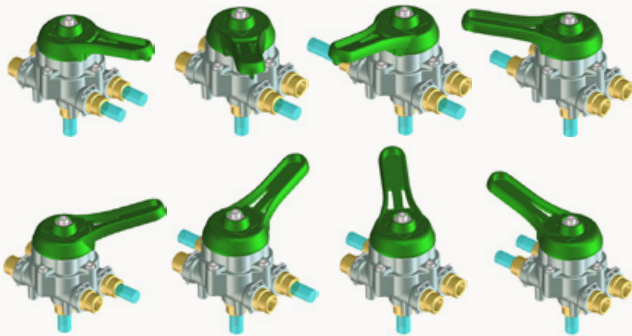


174.206.9 - 4 outlets with single selection - Red lever



174.206.9 8P - 4 outlets selected one by one or in pairs - Green lever

M174 FLOW CONTROL VALVE

Five ways (1 inlet - 4 outlets) **multi function flow control valve** to rationalize sprayers manufacturing and use.

Various circuits management in a single position operated by one lever only (i.e. powder mixing, injector, spray gun, valve assembly, rinsing circuit).

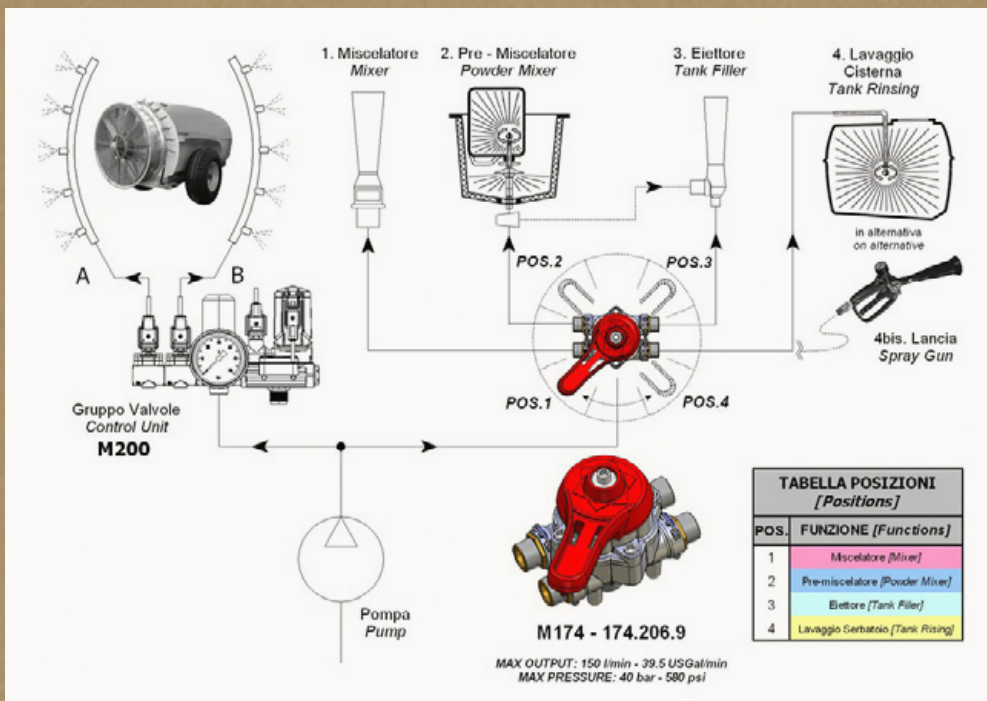
174.206.9 features the single outlets selection whereas the **174.206.9 8P** makes possible, besides one by one, in pairs outlets selection.

Fork type quick assembly **customizable connections**.

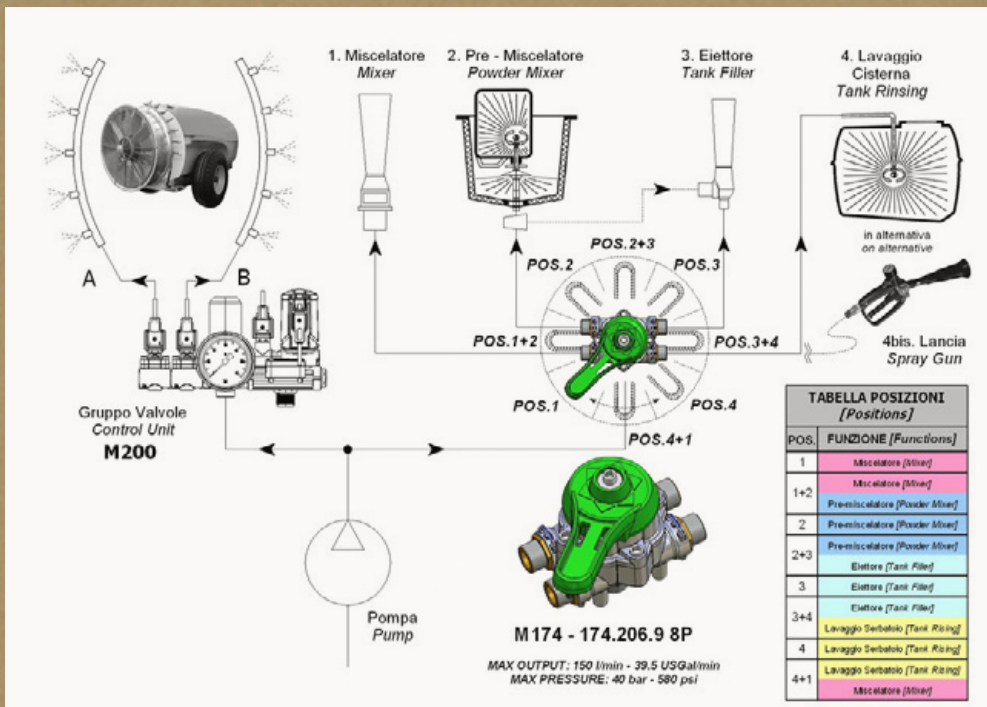
Smooth lever operation: each position is clearly defined by mechanical positioning.

The reduced number of components, wear and corrosion proof, simplifies servicing and repair. Furthermore the seats can be easily inspected or replaced in few minutes **without removing the valve from sprayer**.

PLUMBING DIAGRAM 174.206.9



PLUMBING DIAGRAM 174.206.9 8P



For information or offer please contact:

✉ claudiacalzoni@braglia.it - sales department

✉ stefanobraglia@braglia.it - sales manager

🌐 www.braglia.it/M174

FULL RANGE OF PRODUCTS AT WWW.BRAGLIA.IT