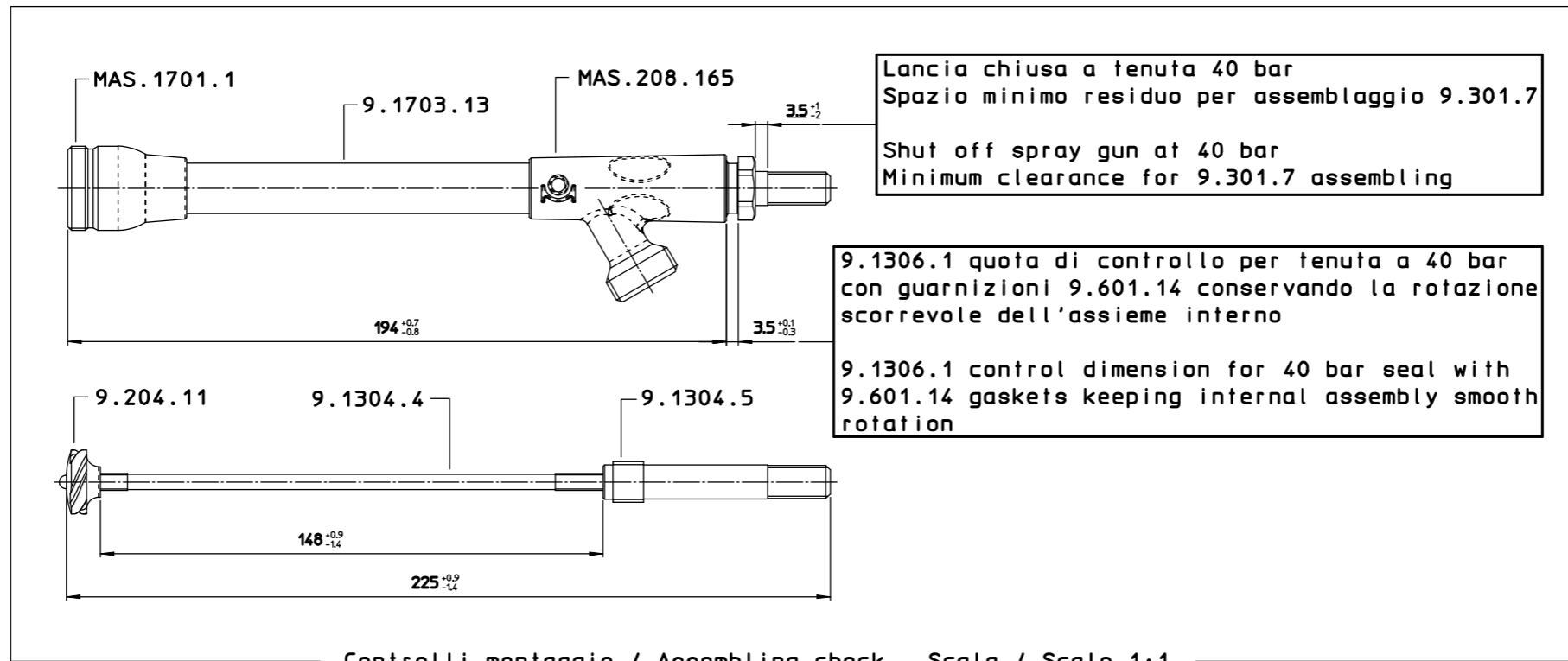


MAS.901.31

MAS.901.31 10
 MAS.901.31 12
 MAS.901.31 18
 MAS.901.31 20
 MAS.901.31 23



9.801.17
 Ø2.3 VARIANTE / MODEL 23

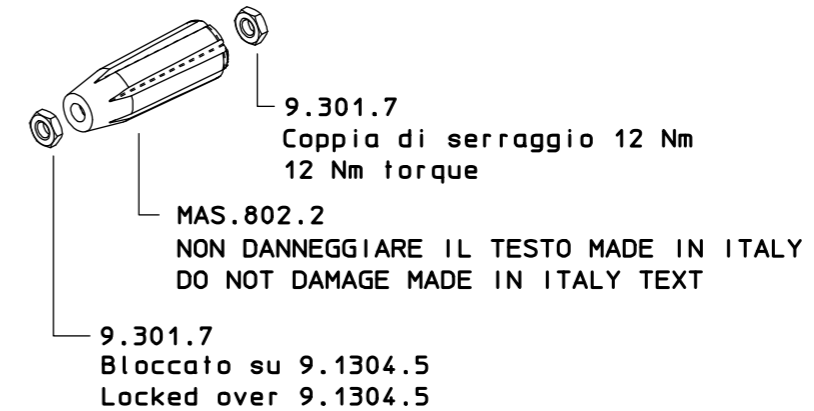
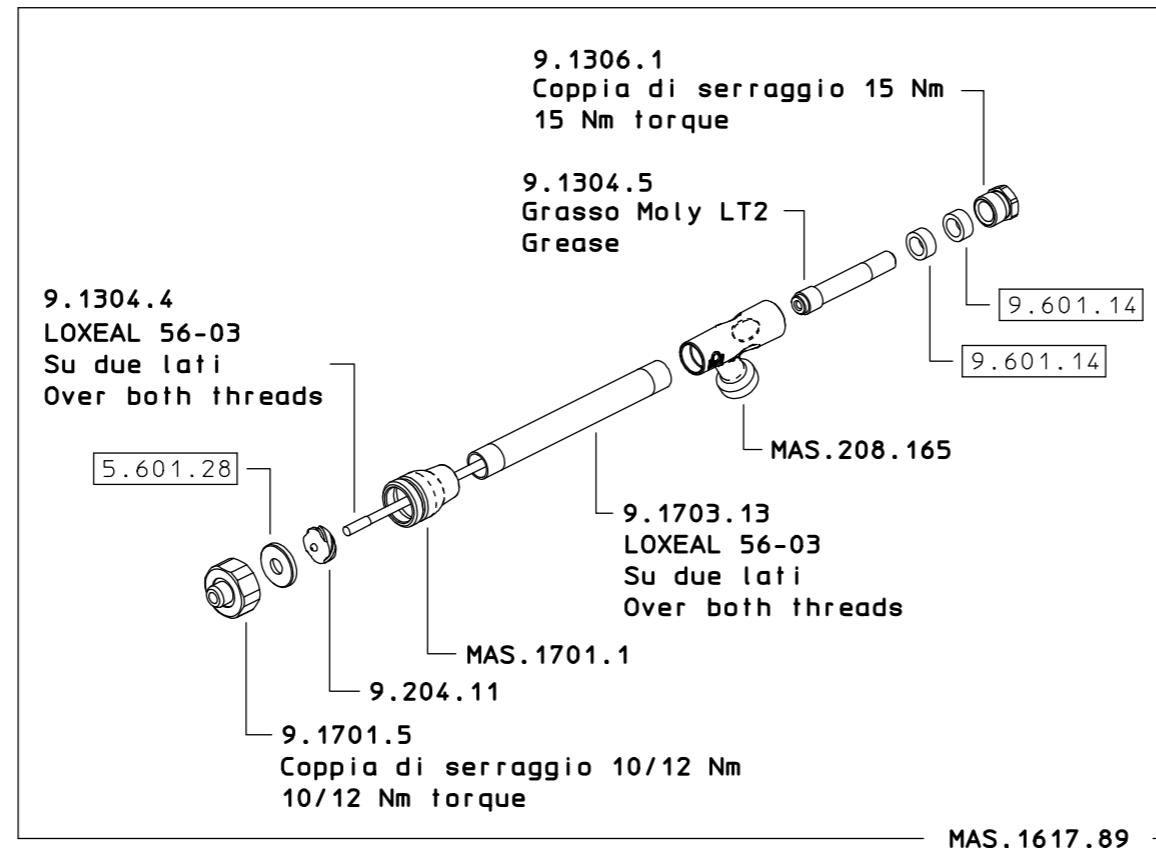
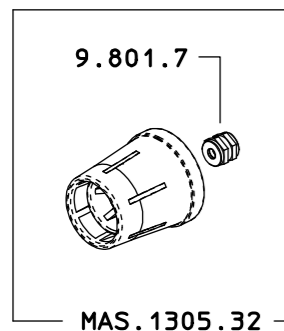
9.801.16
 Ø2.0 VARIANTE / MODEL 20

9.801.15
 Ø1.8 VARIANTE / MODEL 18

9.801.13
 Ø1.2 VARIANTE / MODEL 12

9.801.12
 Ø1.0 VARIANTE / MODEL 10

9.801.14
 Ø1.5 VARIANTE STANDARD
 STANDARD MODEL



9.601.29

SOLO PER KIT
 FOR KIT ONLY

9.602.21

COME SI ORDINA / HOW TO ORDER
 Kit ricambio
 Spare parts kit **5.302.23.**