

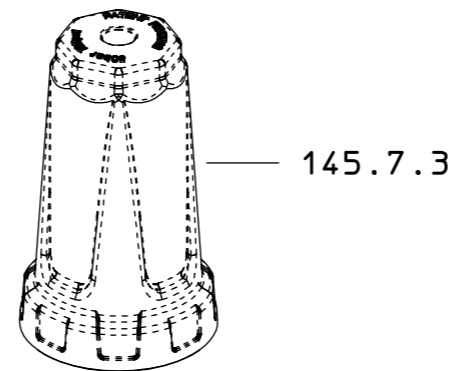
145.504.4
 145.504.4 10
 145.504.4 30
 145.504.4 80

200.402.28
 ROSSO/RED
 PER/FOR 145.504.4 30 30 MESH

200.402.27
 BLU/BLUE
 STANDARD 40 MESH

200.402.26
 GIALLO/YELLOW
 PER/FOR 145.504.4 80 80 MESH

200.402.17
 VERDE/GREEN
 PER/FOR 145.504.4 10 100 MESH



144.203.12
 PER/FOR 145.504.4 30 30 MESH



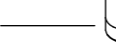
144.203.11
 STANDARD 40 MESH



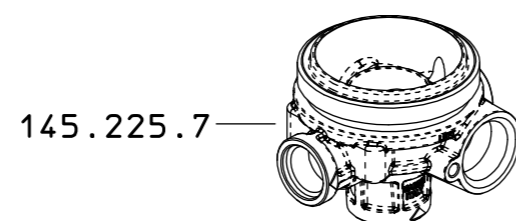
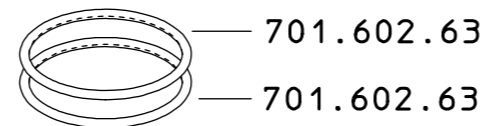
144.203.8
 PER/FOR 145.504.4 10 100MESH



145.1703.81
 LOXEAL 56-03



144.203.23
 PER/FOR 145.504.4 80 80 MESH



DESCRIZIONE: FILTRO M145 40 MESH		N°revisione 07	Data revisione 01/10/2020
 Braglia SRL I-42122 REGGIO EMILIA - ITALY - UE Email tecnico@braglia.it	Tel. +39 0522 340648 Fax. +39 0522 345025	DISEGNATO M.CORRADINI	APPROVATO G.BRAGLIA
	Dis.N°/Codice 145.504.4		