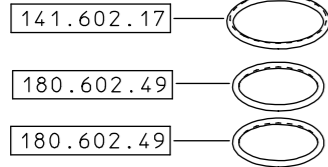
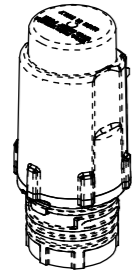


180.1910.19

180.1910.19HS

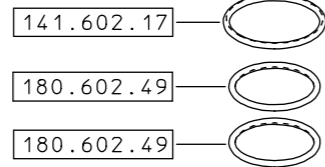
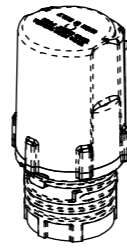
180.1910.19HT

VARIANTE HT
HT MODEL



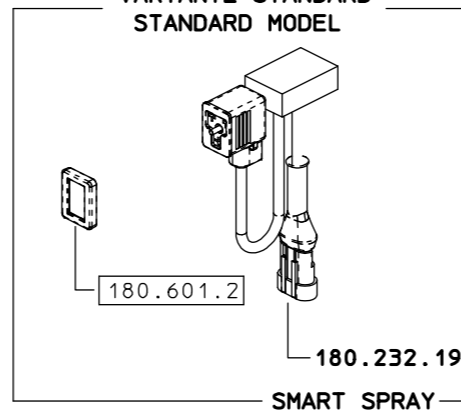
180.620.34
6.0/90° NERO/BLACK

VARIANTI STANDARD/HS
STANDARD/HS MODELS



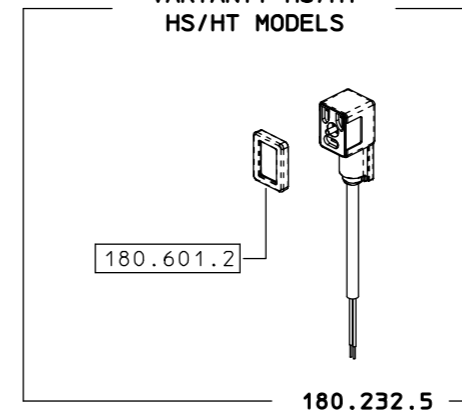
180.620.35
22/90° NERO/BLACK

VARIANTE STANDARD
STANDARD MODEL



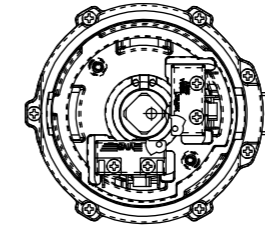
180.232.19
SMART SPRAY

VARIANTI HS/HT
HS/HT MODELS



180.232.5

POSIZIONE DI PARTENZA 180.620.34 E 180.620.35
180.620.34 AND 180.620.35 STARTING POSITION
SCALA/SCALE 1:1



SOLO PER KIT
FOR KIT ONLY

- 75.1003.23
- 142.602.18
- 172.602.16
- 180.306.1 x 2
- 180.602.30
- 180.602.48
- 180.602.50 x 2
- 180.602.106
- 180.1009.1 x 2
- 180.1603.16 x 2
- 180.1603.21 x 2
- 280.507.8
- 284.602.82

- 180.4.8
- 180.614.7
- 68.602.9
- 180.602.44
- 180.602.44
- 180.1506.26
- 180.1304.55

ASSEMBLARE 180.1617.6 CON SELON 628
COPPIA DI SERRAGGIO 15 Nm

ASSEMBLE 180.1617.6 WITH SELON 628
TIGHTENING TORQUE 15 Nm

180.1617.6

180.1709.1
MARCATURA LASER



180.1504.76
LOXEAL 56-03

180.1603.18

180.1604.21

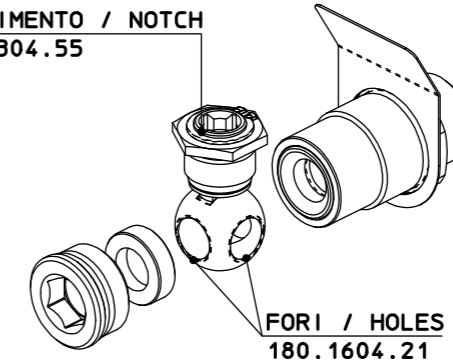
180.1603.18

180.218.152

180.107.74

RIFERIMENTO / NOTCH
180.1304.55

180.507.13



FORI / HOLES
180.1604.21

POSIZIONE DI ASSEMBLAGGIO E PARTENZA 180.1604.21 E
180.1304.55 PER MONTAGGIO 180.620.34 E 180.620.35
SCALA 1:1

180.1604.21 AND 180.1304.55 ASSEMBLING AND STARTING
POSITION FOR 180.620.34 AND 180.620.35 ASSEMBLING
SCALE 1:1

180.602.30

180.1702.32

COME SI ORDINA / HOW TO ORDER

Kit ricambio
Spare parts kit **180.302.31**