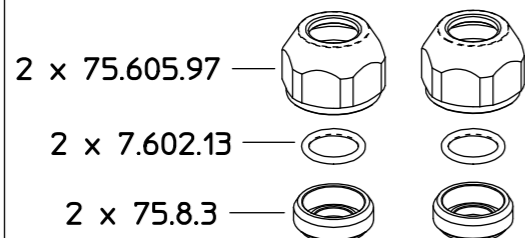


VARIANTE B
B MODEL



2 x 75.605.46 Ø15

VARIANTE D
D MODEL

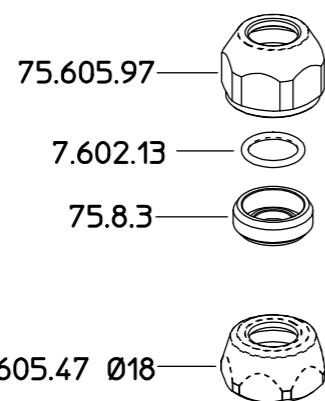


2 x 75.605.97

2 x 7.602.13

2 x 75.8.3

VARIANTE E
E MODEL



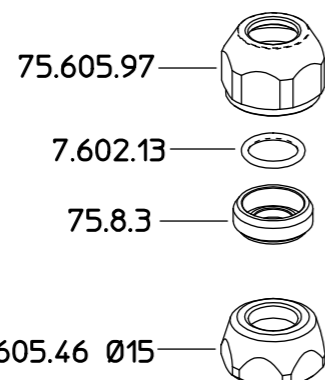
75.605.97

7.602.13

75.8.3

75.605.47 Ø18

VARIANTE F
F MODEL



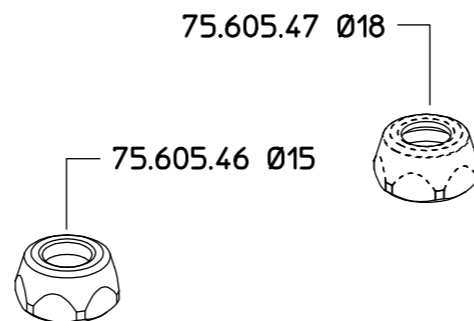
75.605.97

7.602.13

75.8.3

75.605.46 Ø15

VARIANTE A
A MODEL



75.605.47 Ø18

75.605.46 Ø15

VARIANTE STANDARD
STANDARD MODEL

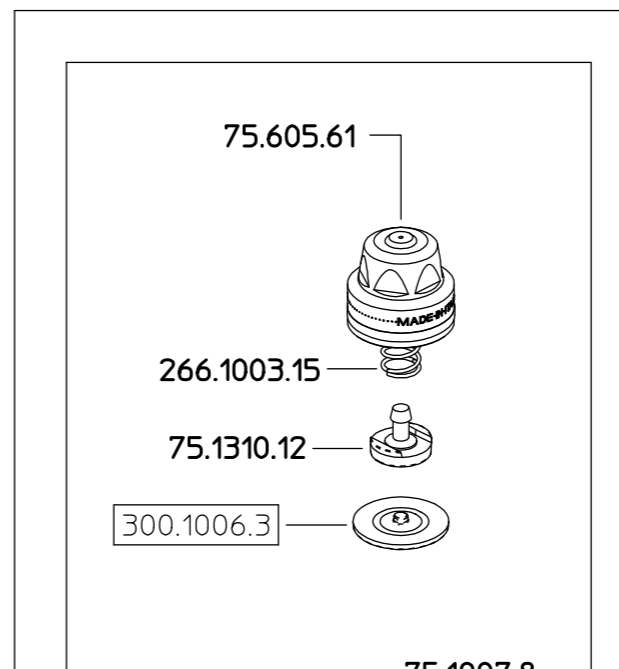


75.605.47 Ø18

VARIANTE STANDARD
STANDARD MODEL



75.605.47 Ø18



75.605.61

266.1003.15

75.1310.12

300.1006.3

75.1007.8

75.602.40

73.507.1
35-40 cNm

73.602.22

73.209.1

Thread sealant
LOXEAL 56-03

75.1902.24
3-4 Nm

65.1314.39

65.112.4

73.507.1
35-40 cNm

65.229.2

75.1003.23

75.507.9

65.1617.61

65.111.14



75.301.23

65.627.2
65.627.2 A
65.627.2 B
65.627.2 D
65.627.2 E
65.627.2 F

SOLO PER KIT
FOR KIT ONLY



23.602.34 X2

68.602.10

73.602.22 X3

260.602.14 X2

COME SI ORDINA/HOW TO ORDER
Kit ricambio
Spare parts kit **75.302.28**