



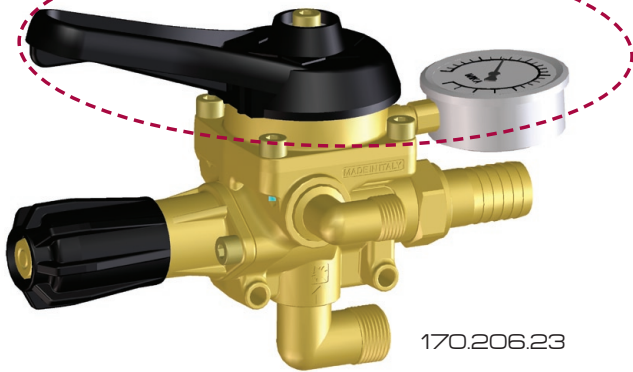
New

COMANDI - COMPONENTISTICA / CONTROL UNITS - PARTS

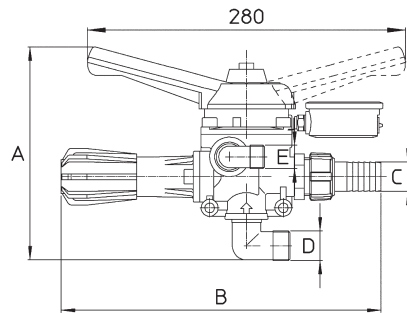
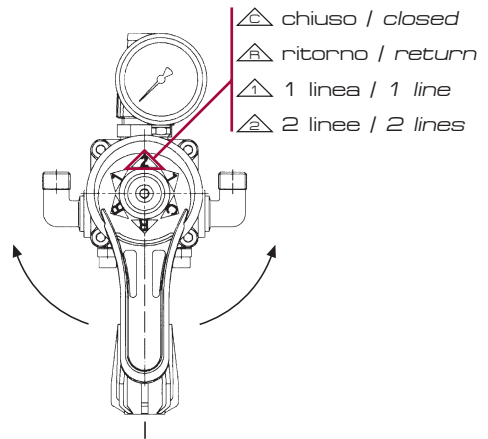
# M170 OT

ACCIAIO INOX E OTTONE  
STAINLESS STEEL AND BRASS

ROTAZIONE 360°  
360° ROTATION



170.206.23



VERSIONI models	ENTRATA inlet				USCITA G1/2 1/2" BSPM outlet		SCARICO discharge	
170.206.23	•			•		•	•	
170.206.23 KA	•			•		•	•	
170.206.23 KM	•	•		•		•	•	
170.206.23 KP	•	•	•	•		•	•	
170.206.23 KR	•		•	•		•	•	
170.206.23 NU					•	•		•
170.206.23 PM	•	•		•		•	•	
170.206.23 RG	•		•	•		•	•	
170.206.23 RP	•	•	•	•		•	•	
170.206.23 SM				•		•	•	
170.206.23 SR			•	•		•	•	



Pressione di esercizio max.: 50bar

Portata max.: 150 l/min

Peso: 170.206.23 4.2 kg - 170.206.23 KA/KM/KP/KR 5.3 Kg - 170.206.23 NU 3.9 kg - 170.206.23 PM/RG/RP 4.3 kg - 170.206.23 SM/SR 4.1 kg

**Materiali:** ottone - sfere in AISI 304 - sedi in AISI 303 - materiali plastici ad alta resistenza - sede e pistone regolatore in acciaio inox con rivestimento anti usura - NBR - PTFE

**Impiego:** su atomizzatori o gruppi irroranti. Corpo in ottone stampato. Posizioni di spruzzo selezionabili dall'operatore. Azionamento scorrevole con supporto camma in PTFE. Regolazione della pressione precisa anche a bassa pressione. Componenti ottimizzati per massima resistenza contro corrosione e usura. Funzionalità e durata assicurata dai materiali impiegati e dall'accuratezza del montaggio. Le versioni con valvole M172 dispongono di quattro mandate indipendenti.

*Max operating pressure: 50 bar / 725 psi*

*Max capacity: 150 l/min - 40 USGal/min*


*Weight: 170.206.23 4.2kg / 9.3lb - 170.206.23 KA/KM/KP/KR 5.3kg / 11.7lb - 170.206.23 NU 3.9kg/8.6lb*

*170.206.23 PM/RG/RP 4.3kg /9.5lb - 170.206.23 SM/SR 4.1kg / 9.1lb*

**Materials:** : brass - AISI 304 balls - AISI 303 seats - high resistance plastic materials - stainless steel regulator piston and seat with wear proof coating - Buna N - PTFE

**Use:** on boom and air blast sprayers. Forged brass body. Selects spraying positions. PTFE cam support for smooth spraying selection operations. Precise and reliable pressure adjusting even at low pressures. Parts designed for maximum corrosion and wear resistance. Functionality and long life assured by materials used and fault proof manufacturing. Models with M172 valves has four independent outlets.

## COME SI ORDINA / HOW TO ORDER

CODICE code	A mm	B mm	C mm	D	E		KIT RICAMBIO spare parts kit
170.206.23	180	285	25	G3/4M. - 3/4" BSPM.	2xG1/2M. - 2x 1/2" BSPM	2	170.302.30
170.206.23 KA	180	285	25	G3/4M. - 3/4" BSPM.	4xG1/2M. - 4x 1/2" BSPM	2	170.302.30-172.302.61
170.206.23 KM	180	285	25	G3/4M. - 3/4" BSPM.	4xG1/2M. - 4x 1/2" BSPM	2	170.302.30-172.302.61
170.206.23 KP	180	285	25	G3/4M. - 3/4" BSPM.	4xG1/2M. - 4x 1/2" BSPM	2	170.302.30-172.302.61
170.206.23 KR	180	285	25	G3/4M. - 3/4" BSPM.	4xG1/2M. - 4x 1/2" BSPM	2	170.302.30-172.302.61
170.206.23 NU	150	240	G1M-1" BSPM	G3/4M. - 3/4" BSPM.	2xG1/2M. - 2x 1/2" BSPM	2	170.302.30
170.206.23 PM	180	285	25	G3/4M. - 3/4" BSPM.	2xG1/2M. - 2x 1/2" BSPM	2	170.302.30
170.206.23 RG	180	285	25	G3/4M. - 3/4" BSPM.	2xG1/2M. - 2x 1/2" BSPM	2	170.302.30
170.206.23 RP	180	285	25	G3/4M. - 3/4" BSPM.	2xG1/2M. - 2x 1/2" BSPM	2	170.302.30
170.206.23 SM	180	285	25	G3/4M. - 3/4" BSPM.	2xG1/2M. - 2x 1/2" BSPM	2	170.302.30
170.206.23 SR	180	285	25	G3/4M. - 3/4" BSPM.	2xG1/2M. - 2x 1/2" BSPM	2	170.302.30