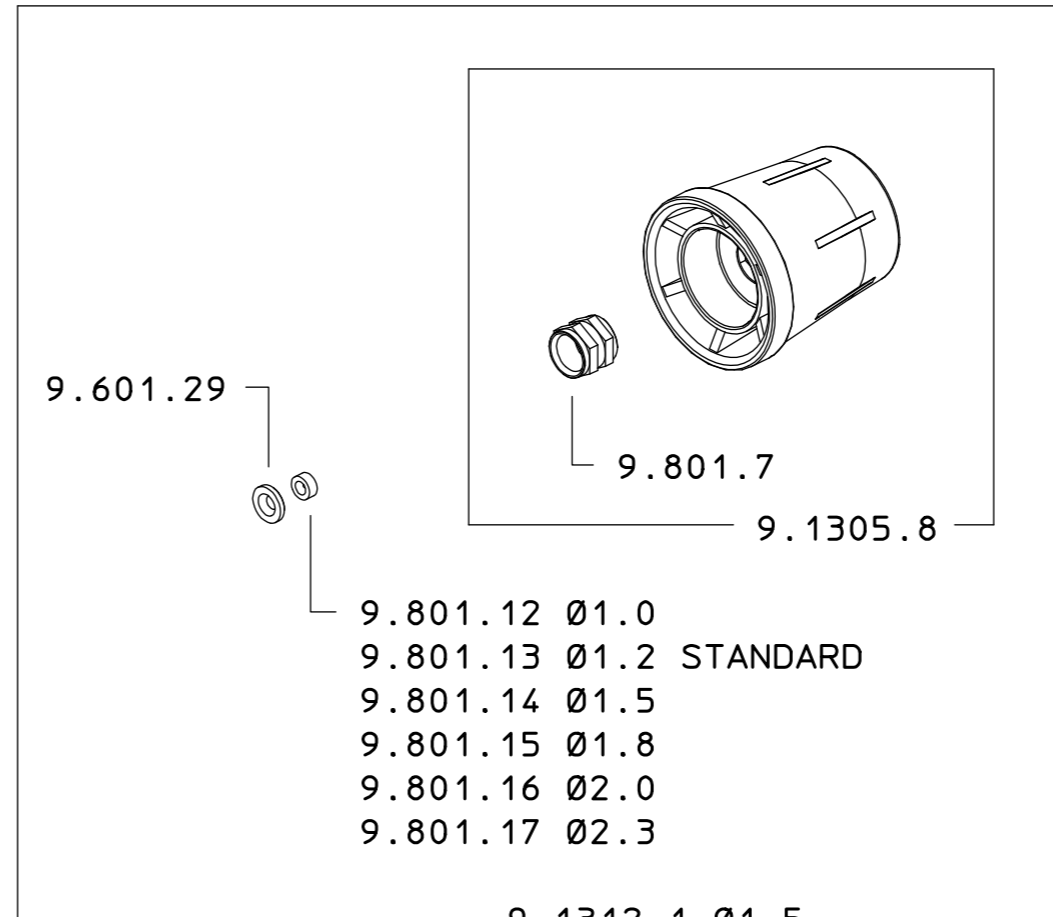
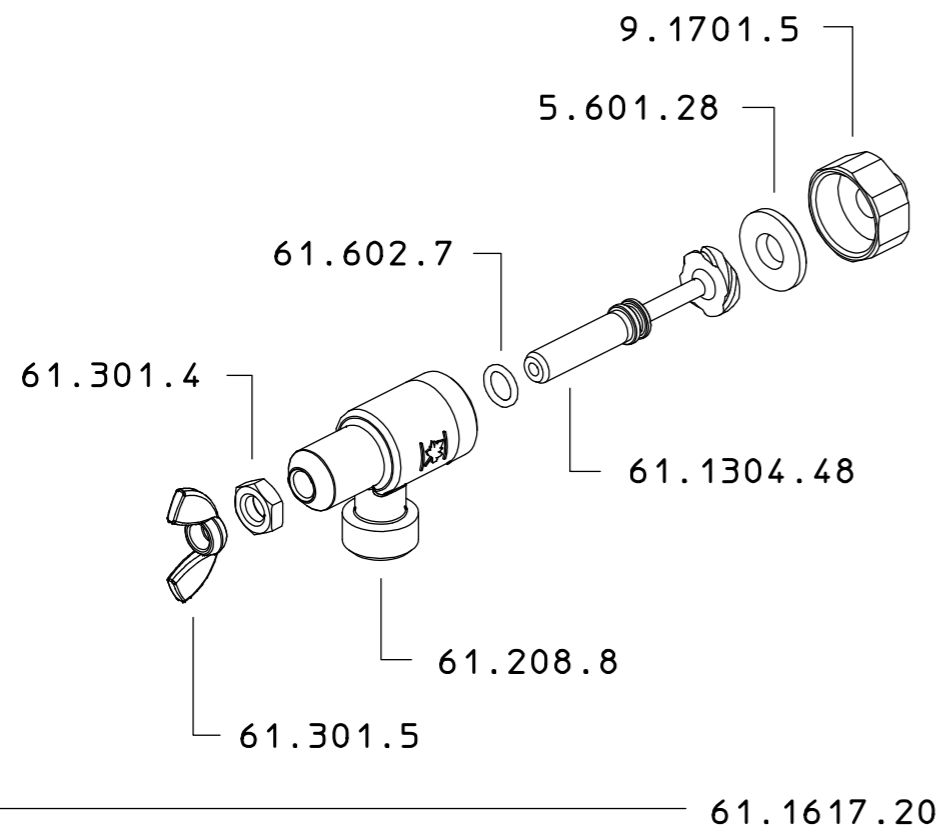


61.610.110  
 61.610.110 10  
 61.610.110 12  
 61.610.110 18  
 61.610.110 20  
 61.610.110 23

Assemblare 9.1701.5 completa di 5.601.28  
 su 61.208.8 con coppia 10/11 Nm

Assemble 9.1701.5 complete with 5.601.28  
 on 61.208.8 with 10/11 Nm torque



- 9.801.12 Ø1.0
- 9.801.13 Ø1.2 STANDARD
- 9.801.14 Ø1.5
- 9.801.15 Ø1.8
- 9.801.16 Ø2.0
- 9.801.17 Ø2.3

- 9.1312.1 Ø1.5
- 9.1312.2 Ø1.0
- 9.1312.3 Ø1.2 STANDARD
- 9.1312.4 Ø1.8
- 9.1312.5 Ø2.0
- 9.1312.6 Ø2.3

- 61.107.148 Ø1.0
- 61.107.149 Ø1.2 STANDARD
- 61.107.150 Ø1.5
- 61.107.151 Ø1.8
- 61.107.152 Ø2.0
- 61.107.153 Ø2.3

