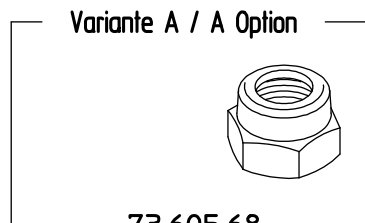
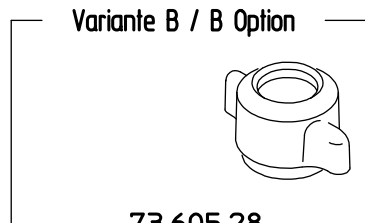


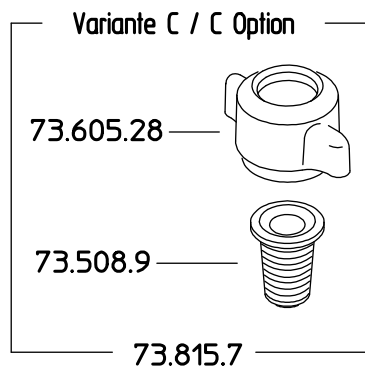
# 76.617.40 A/B/C



73.605.68



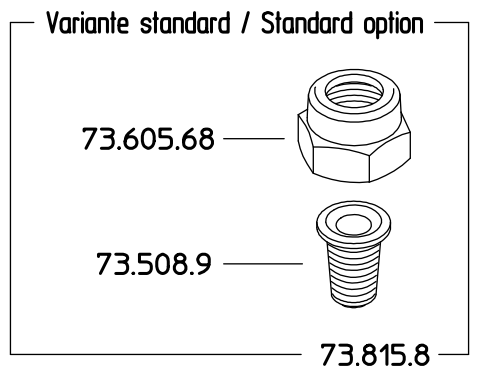
73.605.28



73.605.28

73.508.9

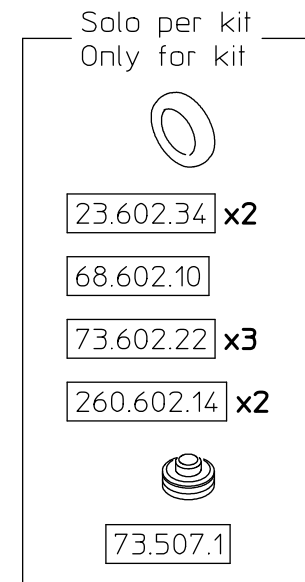
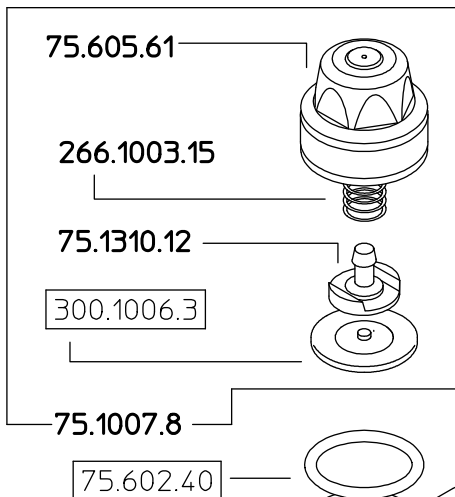
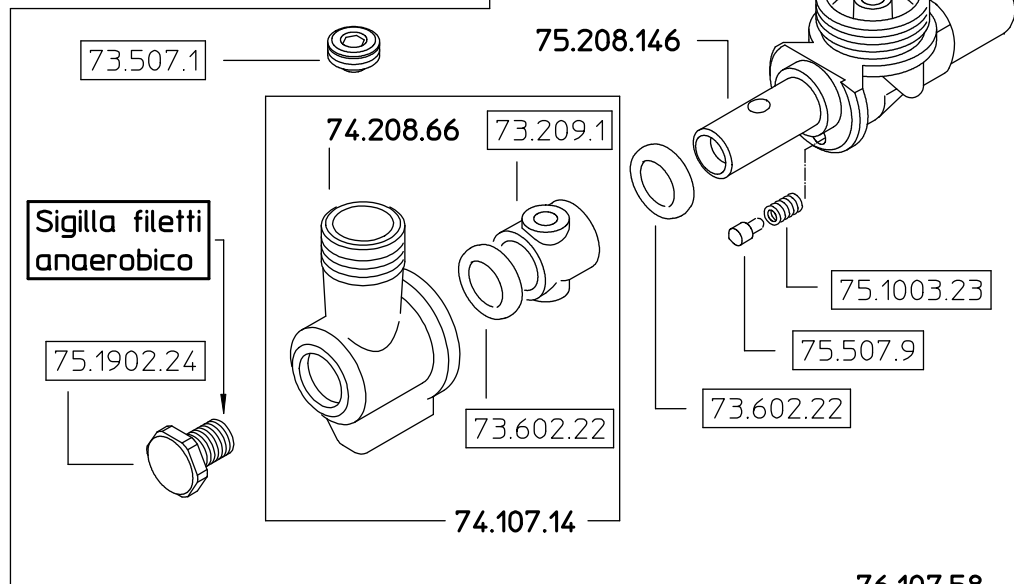
73.815.7



73.605.68

73.508.9

73.815.8



Come si ordina/How to order  
Kit ricambio  
Spare parts kit **75.302.28**

DENOMINAZIONE: <b>Getto M76 11/16UN 1/4"NPTF.</b>		N°revisione <b>02</b>	Data revisione: <b>24/02/10</b>
<b>Braglia</b> SRL	Tel. ++39 0522 340648 Fax. ++39 0522 345025 I-42029 Masone (REGGIO EMILIA)-ITALY-UE	STE	RTE
		<b>76.617.40</b>	