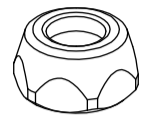


62.627.11

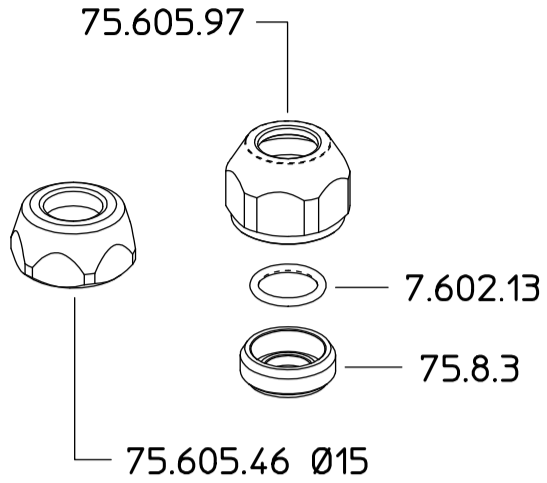
62.627.11 E

VARIANTE STANDARD STANDARD MODEL



75.605.46 Ø15

VARIANTE E E MODEL

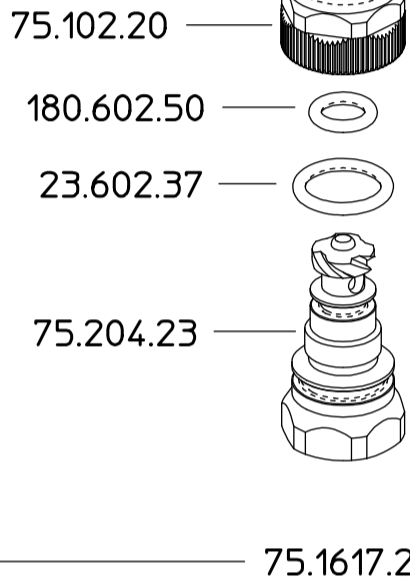


75.605.97

7.602.13

75.8.3

75.605.46 Ø15



75.102.20

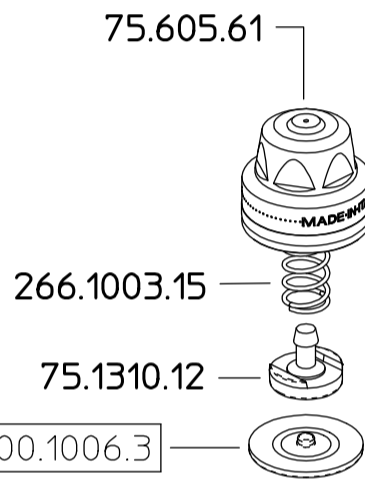
180.602.50

23.602.37

75.204.23

75.1617.2

75.601.3



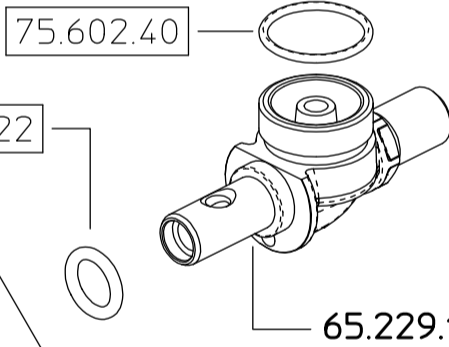
75.605.61

266.1003.15

75.1310.12

300.1006.3

75.1007.8



75.602.40

73.602.22

65.229.1

75.1003.23

75.507.9

75.301.22

73.602.22

Thread sealant
LOXEAL 56-03

75.1902.24
3-4 Nm

73.209.1

73.602.22

65.1314.38

65.112.5

73.507.1
35-40 cNm

65.1617.63

65.111.16

SOLO PER KIT
FOR KIT ONLY

23.602.34 X2

68.602.10

73.602.22 X2

260.602.14 X2

VARIANTE STANDARD STANDARD MODEL



75.605.46 Ø15

COME SI ORDINA/HOW TO ORDER
Kit ricambio
Spare parts kit **75.302.28**

DESCRIZIONE: GETTO M62 G1/4M. Ø15

N°revisione 05
Data revisione 14/05/2019

Braglia SRL
I-42122 REGGIO EMILIA - ITALY - UE
Tel. +39 0522 340648
Fax. +39 0522 345025
Email tecnico@braglia.it

DISEGNATO
M.CORRADINI

APPROVATO
G.BRAGLIA

Dis.N°/Codice
62.627.11