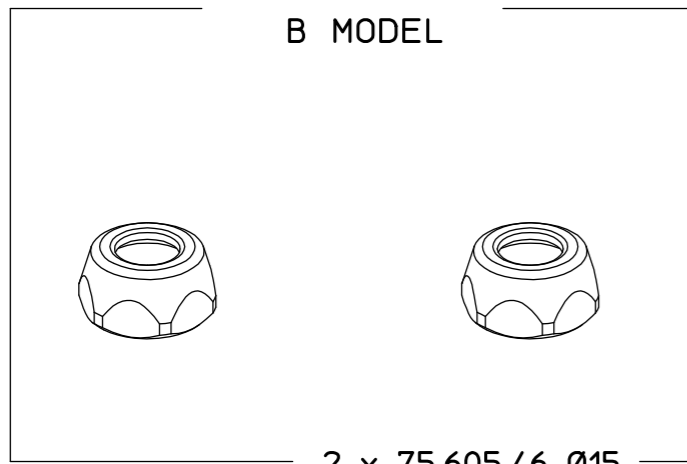
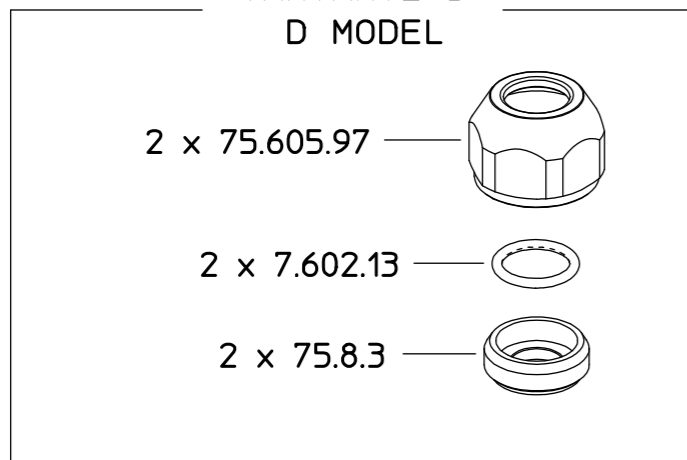


VARIANTE B
B MODEL



2 x 75.605.46 Ø15

VARIANTE D
D MODEL

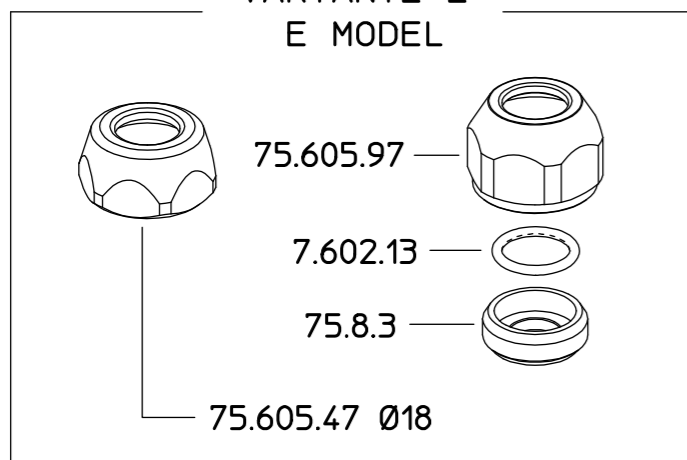


2 x 75.605.97

2 x 7.602.13

2 x 75.8.3

VARIANTE E
E MODEL



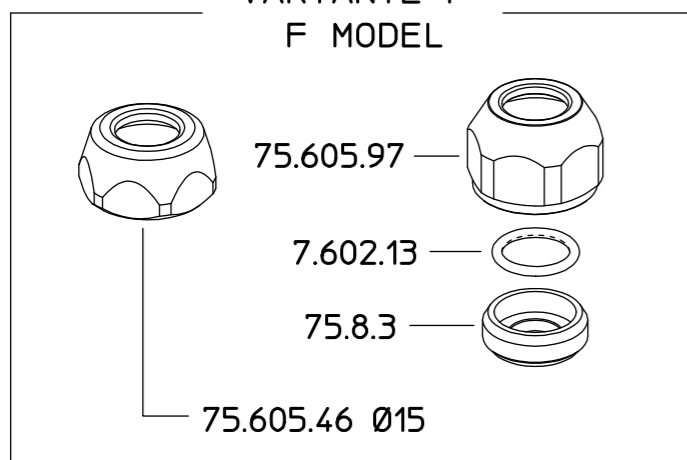
75.605.97

7.602.13

75.8.3

75.605.47 Ø18

VARIANTE F
F MODEL



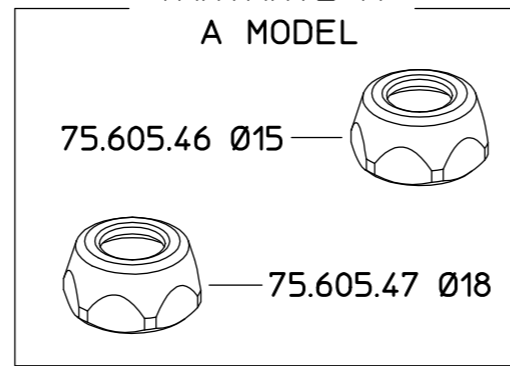
75.605.97

7.602.13

75.8.3

75.605.46 Ø15

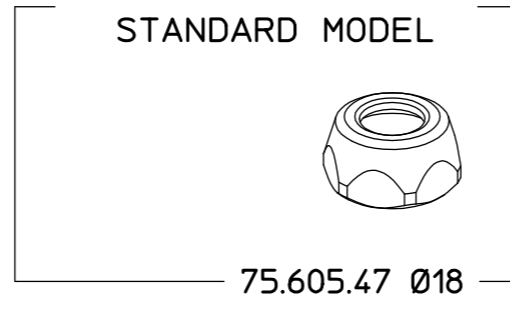
VARIANTE A
A MODEL



75.605.46 Ø15

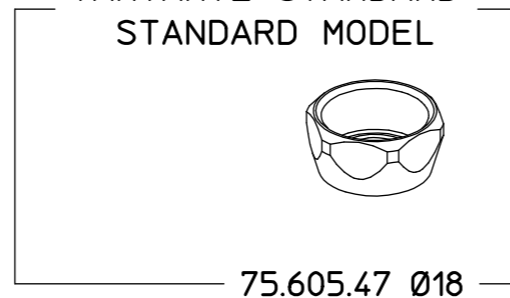
75.605.47 Ø18

VARIANTE STANDARD
STANDARD MODEL

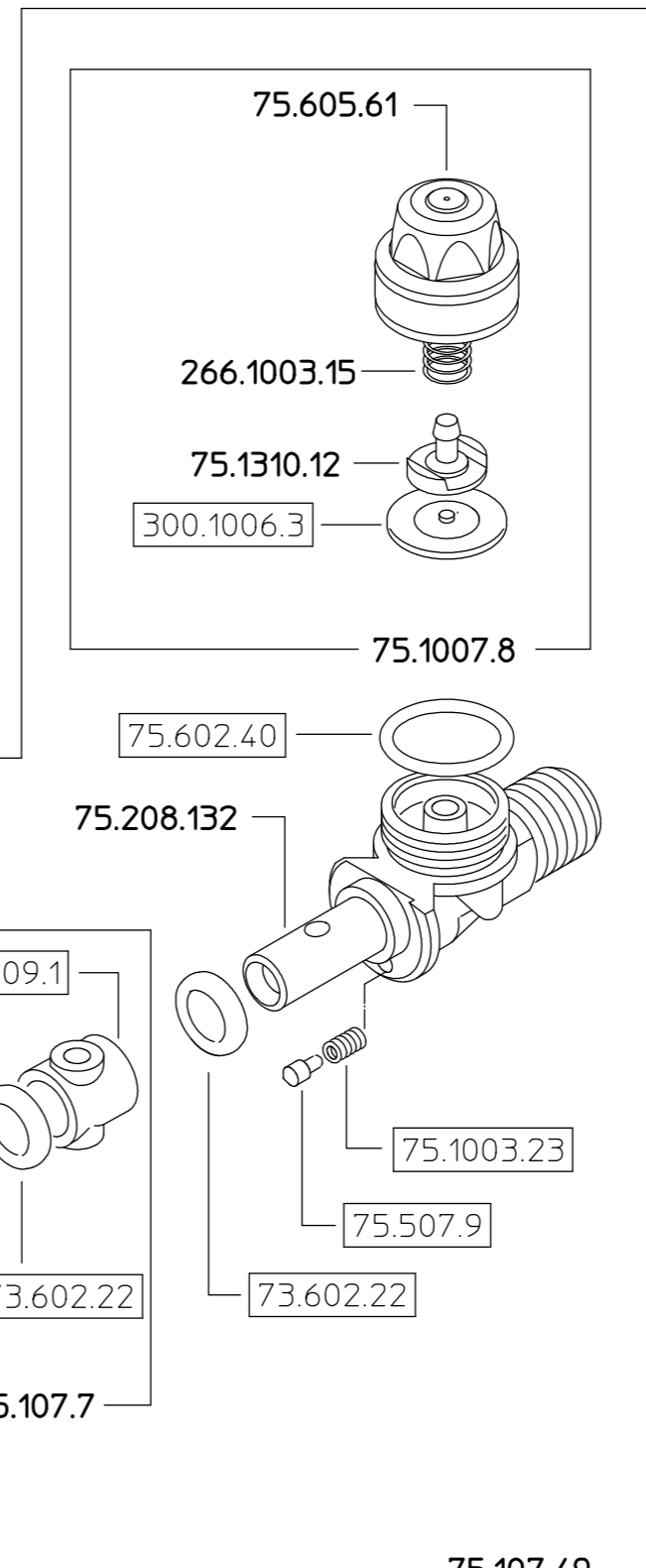


75.605.47 Ø18

VARIANTE STANDARD
STANDARD MODEL



75.605.47 Ø18



75.605.61

266.1003.15

75.1310.12

300.1006.3

75.1007.8

75.602.40

75.208.132

73.507.1

35 - 40 cNm

73.507.1

35 - 40 cNm

75.1314.5

73.209.1

75.1902.24

3 - 4 Nm
LOXEAL 56-03

73.602.22

73.602.22

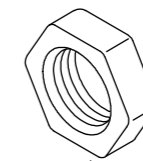
75.107.7

75.1003.23

75.507.9

73.602.22

75.107.49



75.301.23

75.617.11
75.617.11 A
75.617.11 B
75.617.11 D
75.617.11 E
75.617.11 F

SOLO PER KIT
FOR KIT ONLY



23.602.34 X2

68.602.10

73.602.22 X3

260.602.14 X2

COME SI ORDINA/HOW TO ORDER
Kit ricambio
Spare parts kit **75.302.28**

DESCRIZIONE: GETTO M75 Ø18 G3/8M.		N°revisione 02	Data revisione 16/05/2019
Braglia SRL Tel. +39 0522 340648 Fax. +39 0522 345025 I-42122 REGGIO EMILIA - ITALY - UE Email tecnico@braglia.it	DISEGNATO M.CORRADINI	APPROVATO G.BRAGLIA	Dis.N°/Codice 75.617.11